



NORMBAU

PASSION FOR CARE

Inox Care Waste bin 2070500, 272 x 220 x 400mm, 10l

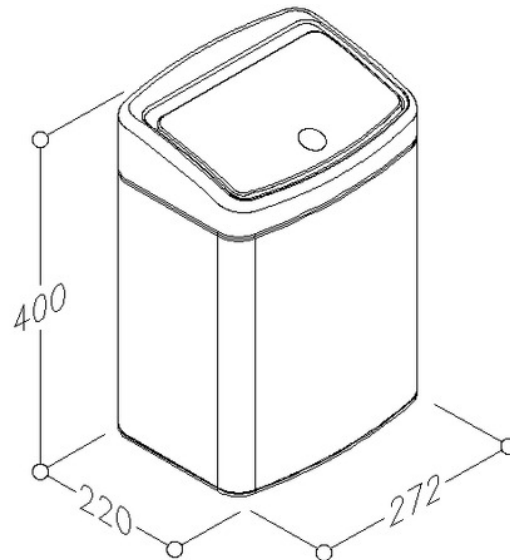
272 x 220 x 400mm, equipped with a large opening and large capacity,

10 litre,

made of stainless steel, material No. 1.4301 (A2 AISI 304), brushed finish, with removable plastic bin, with touch opening system, for wall mounting or freestanding on the floor, with stainless steel wall mount, can be removed from wall for cleaning. Supplied with plugs and screws.

The recommended fixing height from the floor to the lower edge of the waste bin is 350mm.

Product code	2070500
Product group	5600



NORMBAU GmbH
Schwarzwaldstraße 15
77871 Renchen/Germany
Telefon +49(0)7843 / 704 - 0
Telefax +49(0)7843 / 704 - 43
www.normbau.de / normbau@allegion.com

